

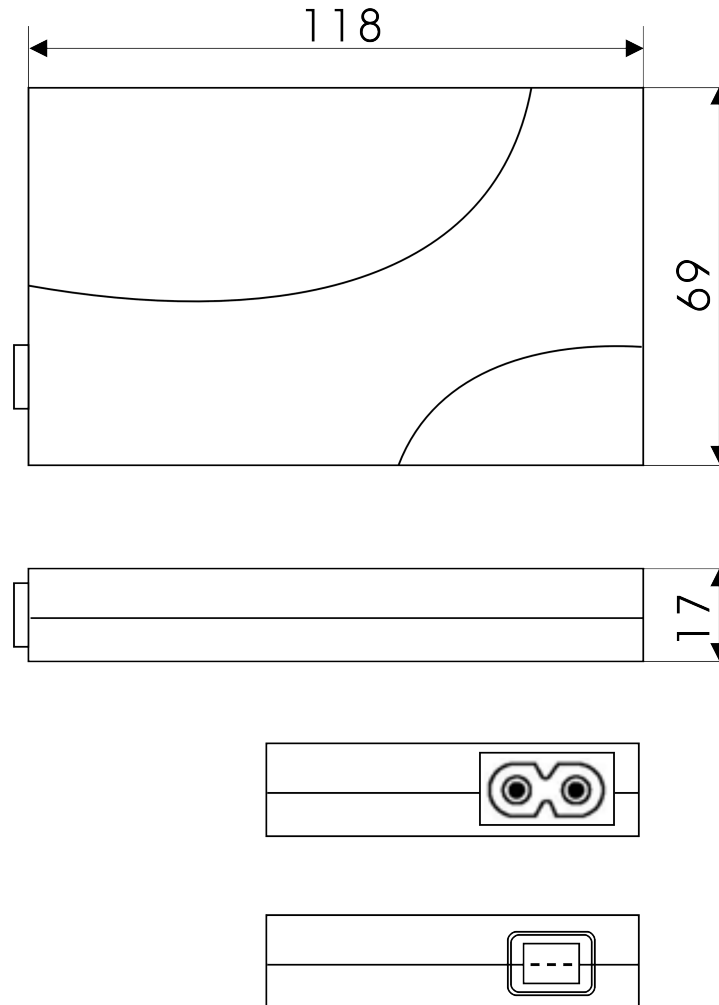


**Features**

- Desktop AC to DC Adapter
- Two Pins Socket – IEC320-C8
- Maximum output power: 90W
- Wide range input voltage: 90 - 265 Vac
- Output Range: See Table below
- Output DC pin type: *upon request*
- Short circuit and overload protection
- Applicable standard: See Above

Input Specifications		
Parameters	Unit	Value
Input Voltage	90 - 265	Vac
Input Frequency	47 – 63	Hz
Output Specifications		
Parameters	Value	Unit
Output Voltage Adjustable Range	15 to 24	V
Output Regulation	± 1	%
Maximum Output Ripple Voltage Peak to Peak	120	mV
Electronic Protection (shutdown and restart)	1.2 x I <sub>max</sub>	Adc
Hold-up Time - Minimum	8	ms
Minimum Efficiency	87	%
General Specifications		
Parameters	Value	Unit
Dynamic Operating Range of Temperature	-10 to 50	°C
Storage Temperature	-20 to 85	°C
Relative Humidity (non-condensing)	5 to 95	%
Primary to Secondary Isolation for 1mn	3000	Vac
Primary to Secondary Insulation Resistor @500V	100	MΩ

**Enclosure Outline**



Models			
Ordering Code	Output Power (max.)	Output Voltage (nom.)	Output Current (max.)
MC90 – 15.0V6.00A-D	90W	15.0V	6.00A
MC90– 19.0V4.70A-D	90W	19.0V	4.70A
MC90 – 24.0V3.75A-D	90W	24.0V	3.750A

**MCK HONGKONG LIMITED**

Sales & R&D Office: Room 915, Dongming Building, Minkang Road, Minzhi,  
Baonan Shenzhen 518129, China

Tel: +86 755-2946-93999

Mobile: +86 130-0888-5129

Email: [sales@hk-mck.com](mailto:sales@hk-mck.com)

Website: [www.mck-power.com](http://www.mck-power.com)